

ANKERSMID AMP 11E

Mini Vacuum Pumps

Principle

The basic construction of the **AMP Diaphragm Gas Sampling Pumps** is simple. An elastic diaphragm is moved up and down by an eccentric (see illustration). On the down-stroke it draws the air or gas being handled through the inlet valve. On the up-stroke the diaphragm forces the medium through the exhaust valve and out of the head. The compression chamber is hermetically separated from the drive mechanism by the diaphragm. The pumps transfer, evacuate and compress completely oil-free.



Application

Despite its small size, the Mini Diaphragm Vacuum Pumps offer a high level of performance. They are used in the fields of analysis, medicine and production technology.

The pumps are used for sucking gases, taking samples (even liquids in a vacuum) and evacuating vessels.

These AC models are suited for use in machinery, which is permanent or mains-operated.

Description

The pumps are equipped with the patented stress-optimized structured diaphragm, resulting in a high pneumatic performance, a durable product and compact size.

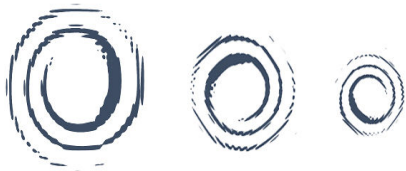
Special valves ensure that the product can cope easily with vapour and condensation.

Thanks to the modular system, the parts used to transfer the gases can be made from materials with varying degrees of durability. The pumps can be driven by either AC or DC motors.



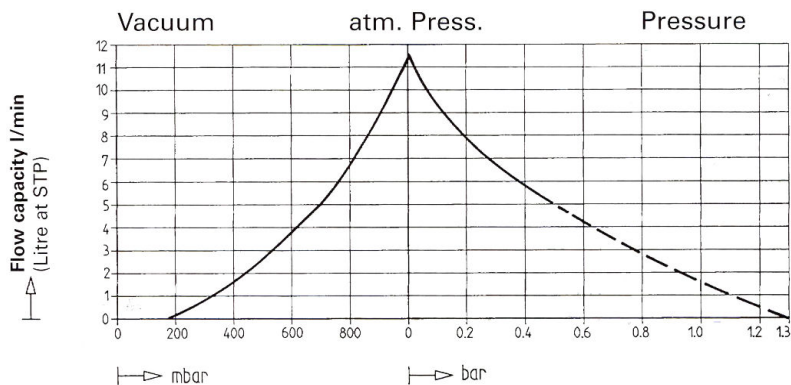
* picture may vary

- **No contamination of the media due to oil-free operation**
- **Compact size due to structured diaphragm**
- **Maintenance-free**
- **High performance because of structured diaphragm**
- **High level of gas tightness**
- **Long product life thanks to structured diaphragm**
- **Copes well with vapour and condensation**
- **Cool running motor even when in constant use**
- **Can operate in any installed position**



PERFORMANCE DATA

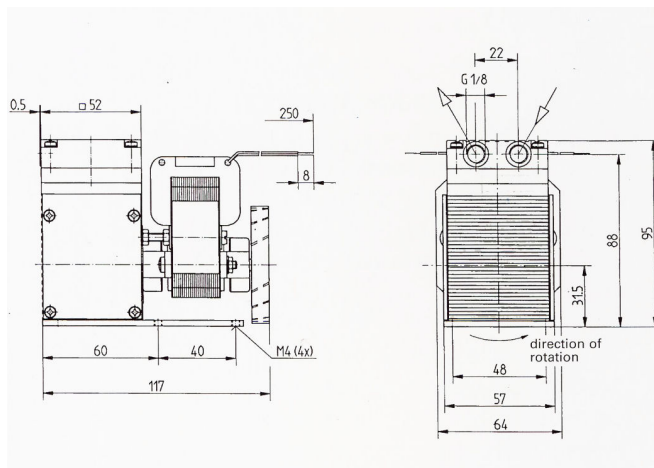
Type	Delivery (l/min)	Vacuum (mbar abs.)	Pressure (bar g)	Weight (kg)
AMP 11E	11,5	170	0,5	1,3



Model Codes And Materials

Type and Order No	Pump head	Diaphragm	Valves
AMP 26E Chemically resistant version	Ryton 4)	PTFE-coated	FFPM

Dimensions (mm)



Motor Data

Protection class	IP 00
Voltage/Frequencies (V/Hz)	~230/50 Other Voltages and frequencies on request
Power P1 (W)	60
Operating current (A)	0.6